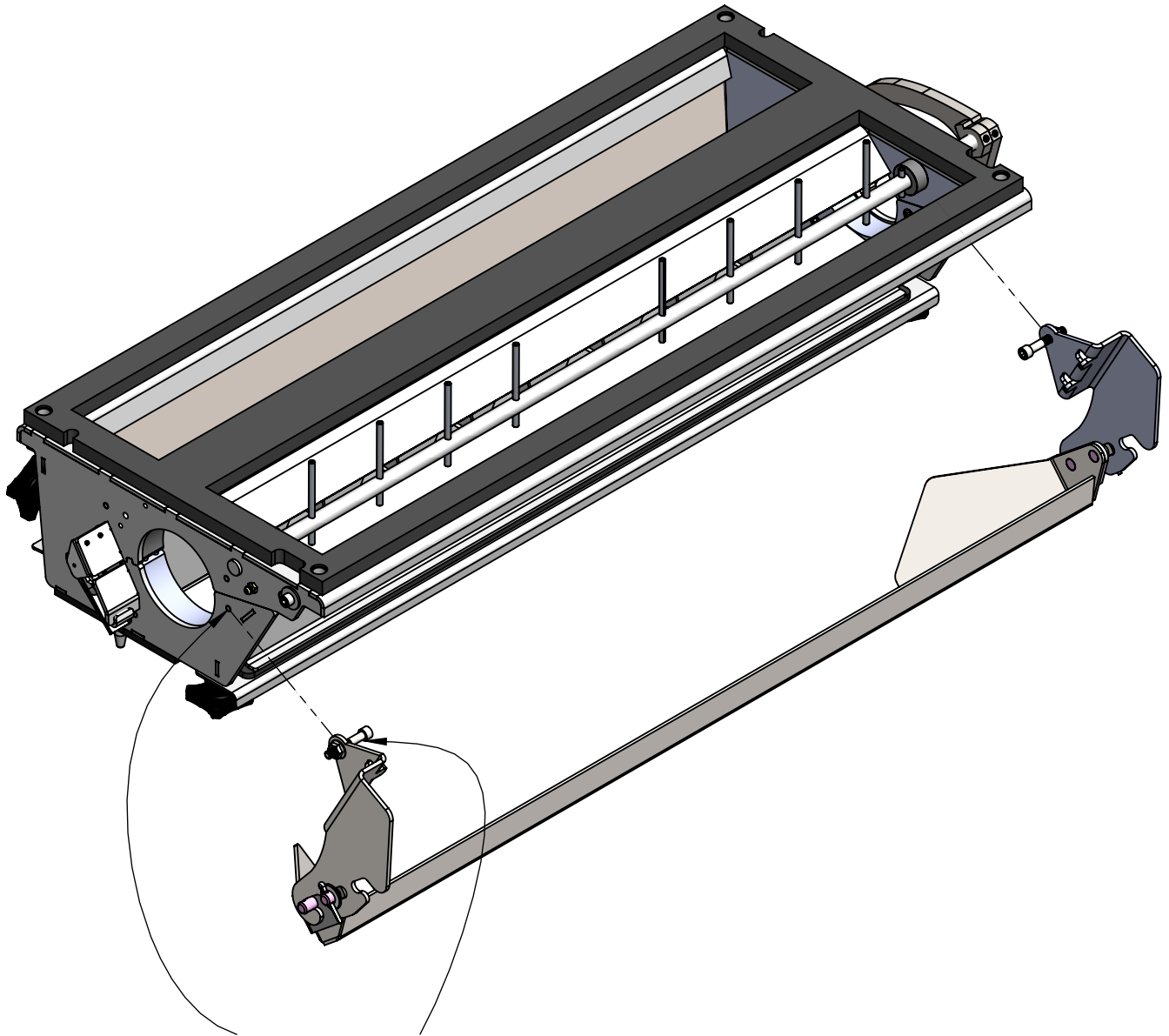


# Flexi-Coil / CNH Drain Chute Installation



Remove bolt at both ends of meter housing. Insert bolt included with drain chute from inside, through meter wall and drain chute bracket. Tighten flange nut on outside.

Use anitseize on all threaded stainless steel surfaces to prevent thread seize.