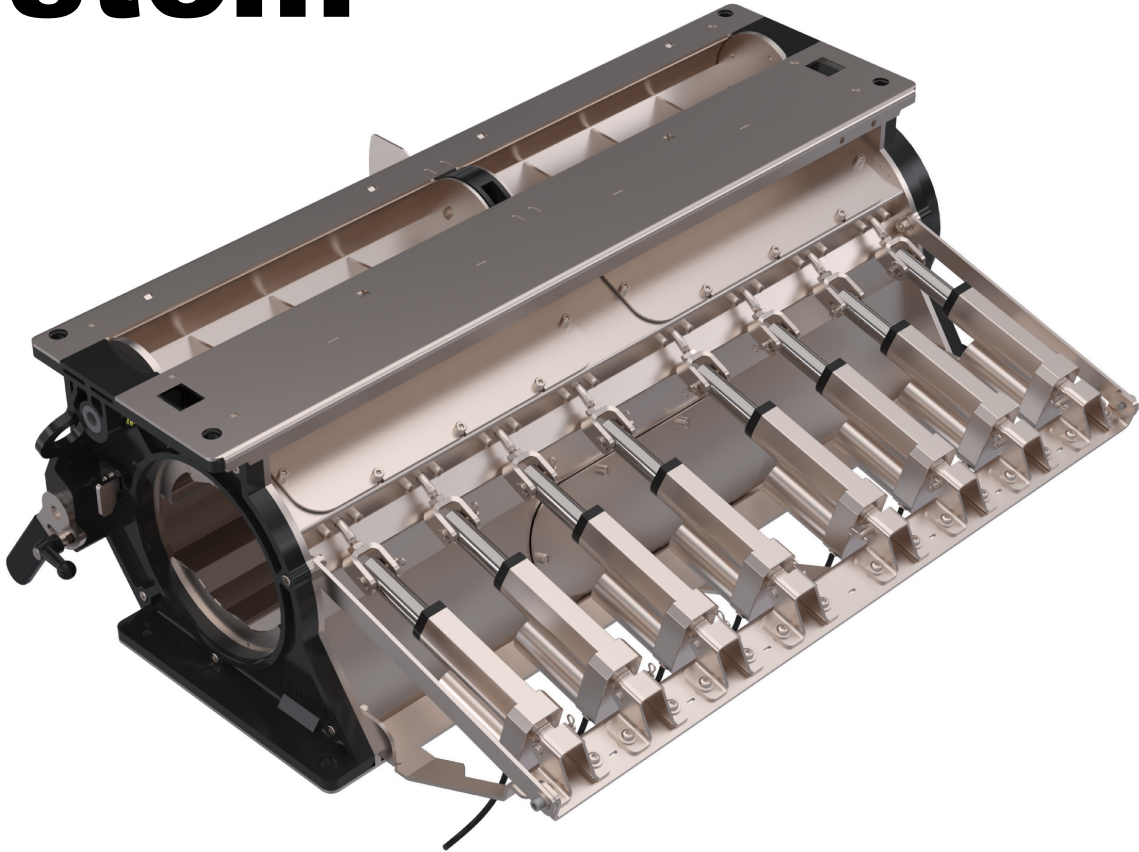


Section Control System



Assembly Instructions

- JAS4700K - 3 Tank Section Control System
- JAS4709K - 3 Tank Actuator Kit
- JAS4710K - 2 Tank Section Control System
- JAS4711K - 2 Tank Actuator Kit

Romafa Section Control System

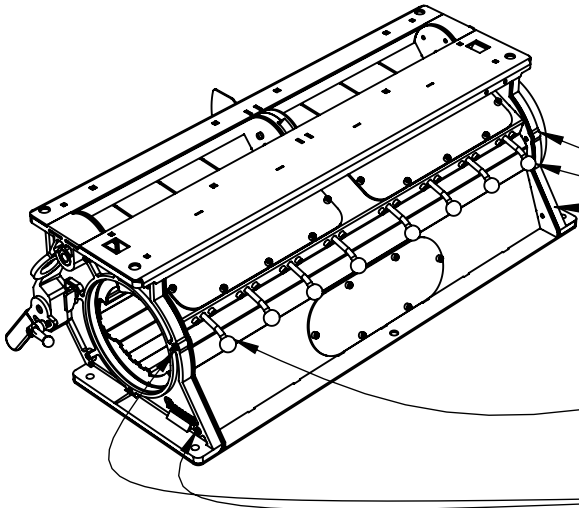
Equipment requirements before installing the Romafa Section Control

- JD Liquid Rate Controller (JD Part # PF81019) or a Raven RCM installed on your cart for our system to plug into
- 30 Amp power supply at the rate controller (newer carts have this factory installed)

Romafa Parts

- JAS0168A - Meter housing with individual run shut-off gates
- Section Control System - JAS4700K (3 tank cart) **OR** JAS4710K (2 tank cart)
- Actuator Kits - JAS4709K (3 tank cart) **OR** JAS4711K (2 tank cart). [One kit required per run]
- Wiring harness - JAS0331P if you are using a JD liquid rate controller **OR** JAS0332P if you are using a Raven RCM
- JAS0007W - Hydraulic motor mounting kit for hydraulic drive carts **OR** JAS4719K - Clutch bracket for ground drive cart

Installation



Step 1

Remove the black knob from shut-off gate handle for each run that is to be controlled by the section control system.

Step 2

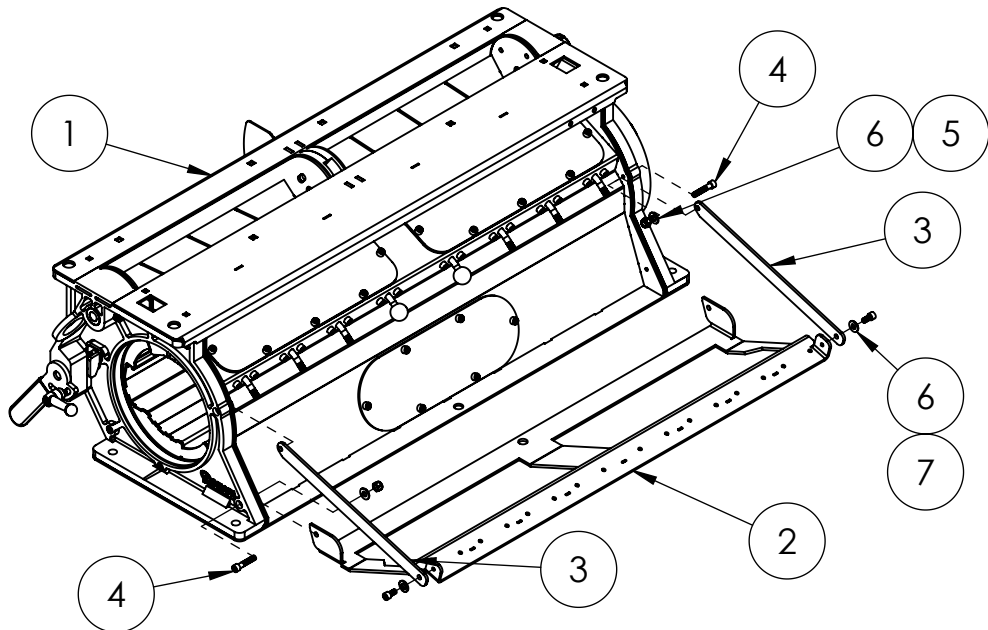
Remove two bolts from each end of meter housing.

Step 3

Install actuator mount plate on each meter housing

ITEM NO.	PART NUMBER	DESCRIPTION	QTY.
1	JAS0168A	Individual Shut Off Meter Housing Assembly	1
2	JAS0213P	Actuator Mount Plate	1
3	JAS0214P	Support, Actuator Mount Plate	2
4	SIBS-025-125-NC	1/4" X 1,1/4" Socket Head Cap Screw SS	4
5	SINN-025-1-3	1/4" Nylon Lock Nut SS	4
6	SIWI-025-062-M-3	1/4" Flat Washer SS G18-8	6
7	SIBS-025-050-1-2-3	1/4" X 1/2" NC Socket Head Cap Screw SS	2

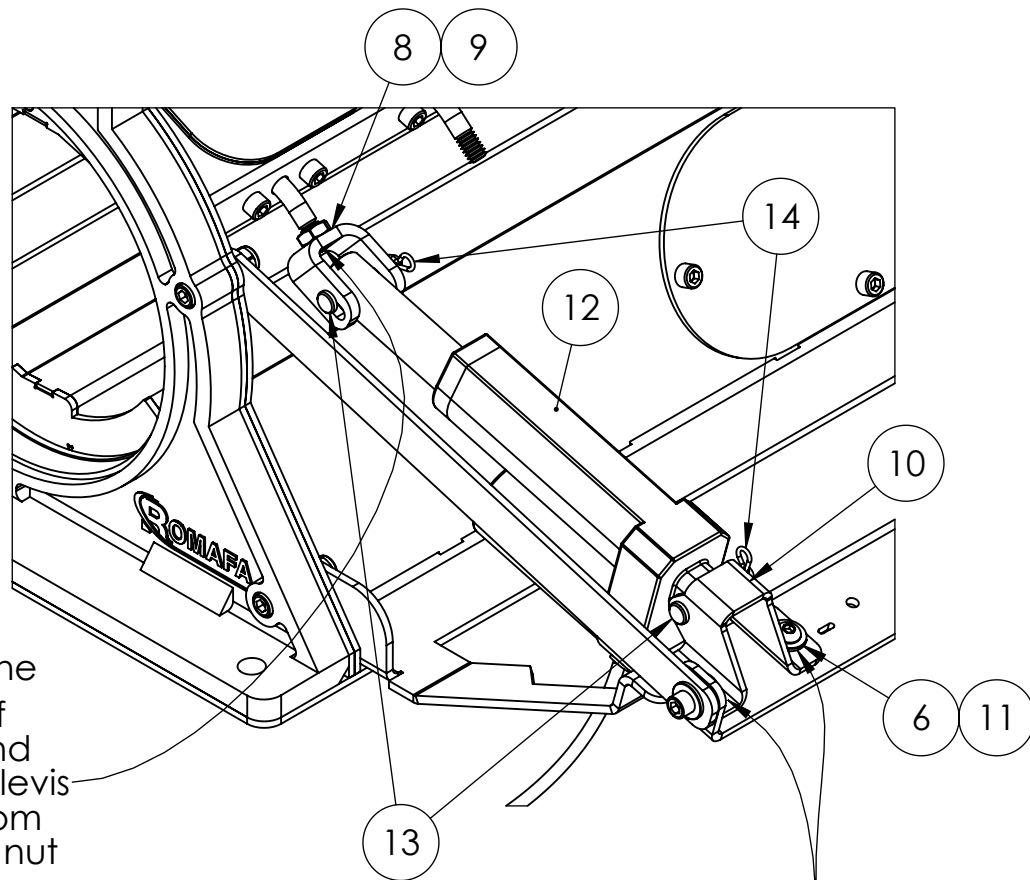
IMPORTANT:
TO PREVENT THREAD
SIEZE, APPLY ANTISIEZE
TO **ALL** THREADED
STAINLESS STEEL
SURFACES.



Step 4

Install the actuators.

ITEM NO.	PART NUMBER	DESCRIPTION
6	SIWI-025-062-M-3	1/4" Flat Washer SS G18-8
8	JAS0216P	Clevis, Actuator Mount
9	SINK-031-1-3	5/16" Hex Jam Nut NC SS Grade 18-8
10	JAS0347P	Bracket, Acuator Mount
11	SIBJ-025-037-2-3	1/4-20 X 3/8" Button Head Socket Cap Screw
12	PA-14-2-35	Mini Linear Actuator 12 VDC-2" stroke-35 lbs
13	SICLPS-025-150	1/4" x 1.5" Clevis Pin, Stainless Steel
14	SIPR-0062	1/16" R-Clip



Thread the clevis (8) onto the gate handle till the inside of the clevis is flush with the end of the gate handle. Have clevis rotated so it points away from meter housing. Tighten jam nut (9) down against clevis.

IMPORTANT:
Do not tighten these bolts yet.

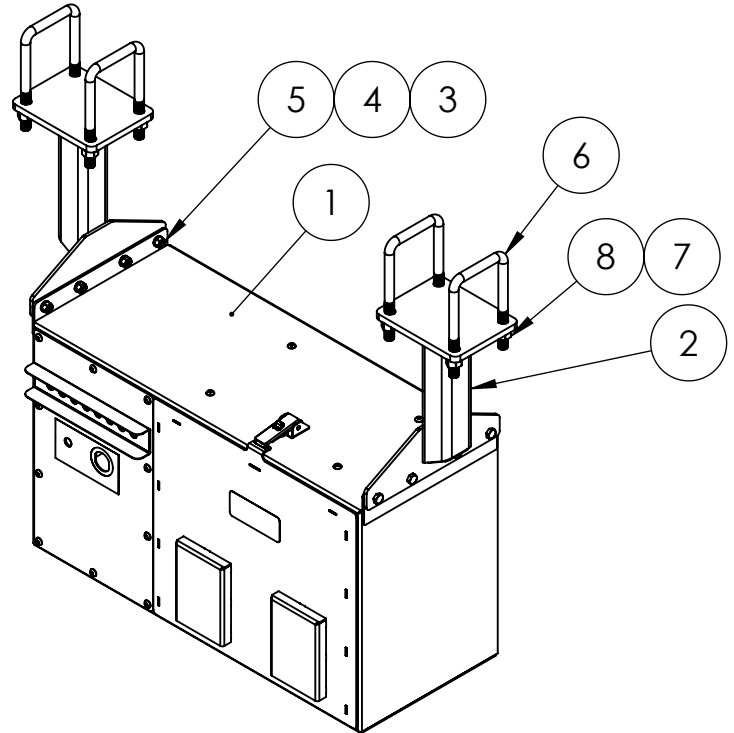
REMEMBER TO APPLY ANTISIEZE TO ALL
THREADED STAINLESS STEEL SURFACES.

Step 5

Install the Romafa control box on the side of the cart opposite the conveyor / auger, between the 1st and 2nd tank.

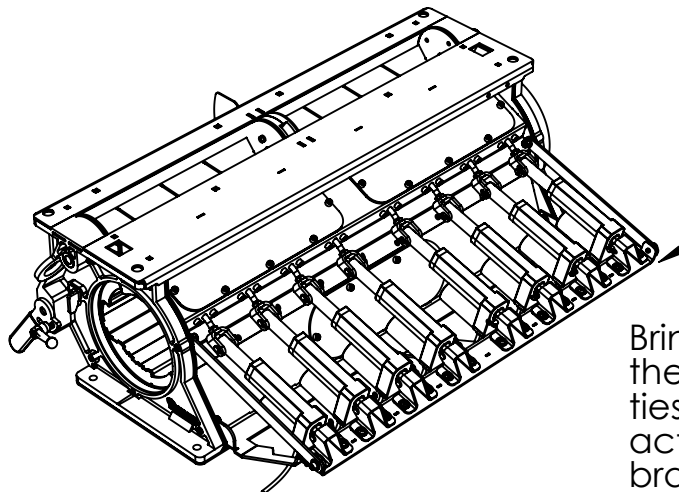
ITEM NO.	PART NUMBER	DESCRIPTION	QTY.
1	JAS4728A	JD 1900/1910 Section Control Box	1
2	JAS4016W	Mount Bracket Weldment, Control Box	2
3	SIBH-031-075-1-2-3	5/16"X 3/4" Hex Bolt NC SS G18-8	8
4	BILW-031-M-5	5/16" Lock Washer Medium G5	8
5	SINH-031-1-2-3	5/16" Hex Nut NC SS Grade 18-8	8
6	BIBU-050-312-650	3" x 5" 1/2" NC U-Bolt Grade 5	4
7	BILW-050-M-5	1/2" Lock Washer Black G5	8
8	BINH-050-1-2-5	1/2" Hex Nut NC Black G5	8

REMEMBER TO APPLY
ANTISIEZE TO ALL THREADED
STAINLESS STEEL SURFACES.



Step 6

Route the wiring harnesses, looping up and securing excess harness as needed.

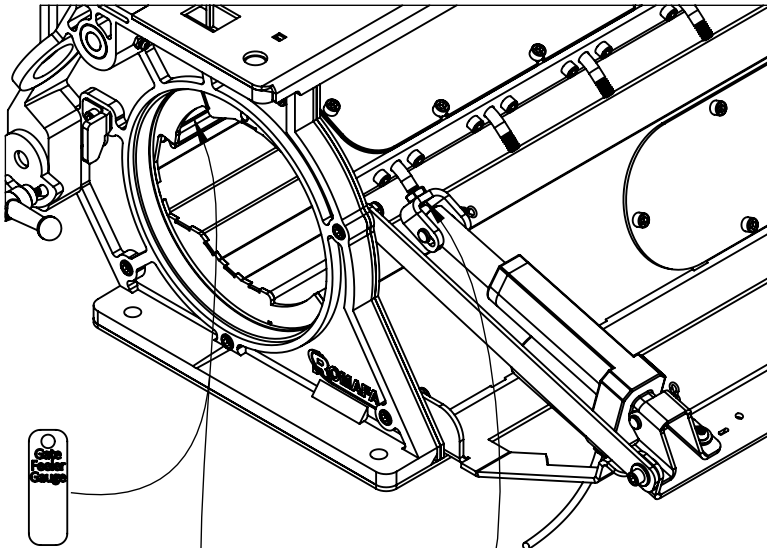


Bring the harness in underneath the actuator mount plate, using ties to secure the harness and actuator cords to the support bracket.

Step 7

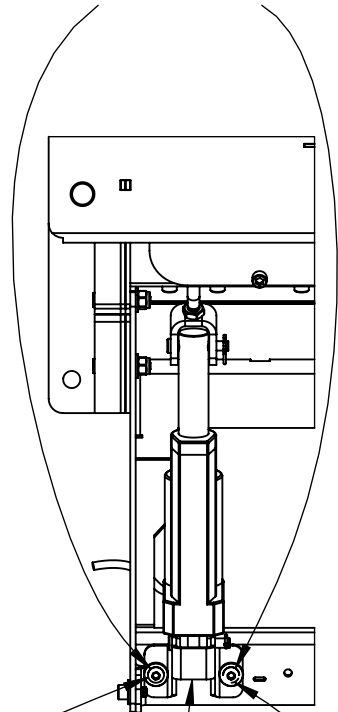
Adjust actuators. Follow these steps for each actuator.

1. Make sure bottom actuator mounting bracket is not tightened.
2. Using manual controls on control box, fully extend the actuator.
3. With meter roll removed, slide gate feeler gauge under gate inside the meter housing; then push in on the clevis, closing the gate down onto the gauge. (This ensures a small gap, preventing the actuators from jamming up)
4. With the feeler gauge snug between the gate and meter housing, apply gentle pressure on the actuator mounting bracket, pushing it in toward the meter housing. Holding it snug, tighten down the two bolts holding the bracket.



7.3 - Slide gate feeler gauge under gate. Push clevis in to close gate down onto the gauge

7.1 - Ensure bolts are not tightened, bracket can slide



7.4 -Apply gentle pressure on the bracket, pushing it in toward the meter housing
Tighten the two bolts down.