



8" Stainless Steel Augers for JD 1900 & 1910 Air Carts



Assembly Instructions

- **JAS5101A - 8" 21' Auger Housing & Flighting**
- **JAS5803A - 8" 23' Auger Housing & Flighting**
- **JAS5792K - 8" Auger Hopper & Spout Kit**
- **JAS5793K - 8" 21' Auger Hydraulic Kit**
- **JAS5804K - 8" 23' Auger Hydraulic Kit**

JAS5101A - 8" 21' Auger Housing & Flighting Kit

JAS5803A - 8" 23' (See page 3 for part variations)

ITEM NO.	PART NUMBER	DESCRIPTION	QTY.
1	JAS5101W	8" Auger Tube Weldment	1
2	JAS5775A	Hopper Mount, (8" Auger)	1
3	JAS5776A	Rotation Lock, Hopper Mount	1
4	JAS5755A	Bushing Mount / Handle Assembly for 8" Auger	1
5	JAS5764A	Hyd. Valve Leaver, (A65332)	1
6	JAS5780A	Hyd. Valve Lever (A65333)	1
7	JAS5786A	8" Auger Handle, Upper End	1
8	JAS5782A	Poly Flighting Assembly, 8" x 21' Auger	1
9	JAS5079P	Flange, Motor Mount, Auger	1
10	JAS5082P	Light Bracket, Auger	1
11	JAS5087P	V Shape Channel	1
12	JAS5121P	Clamp, Hyd. Hoses	3
13	JAS5151P	Bearing Cover, Auger (A69768)	1
14	JAS5333P	Positioning Plate, 8" JD Auger	1
15	SISP-031-137-1	5/16" x 1-3/8" Spring Pin SS	1
16	SISP-031-300-1	5/16" x 3" Spring Pin SS	1
17	SMBH-10-1.5-55-2-3	M10-1.5 X 55 mm Hex Bolt SS 18-8	3
18	SMNN-10-1.5-3	M10-1.5mm Nylon Lock Nut SS	11
19	SMBH-12-1.75-40-2-3	M12-1.75 X 40 mm Hex Bolt SS 18-8	2
20	SMNN-12-1.75-3	M12-1.75mm Nylon Lock Nut SS	2
21	SMBH-10-1.5-25-2-3	M10-1.5 X 25mm Hex Bolt SS	6
22	SMBC-06-1.0-35-1-3	M6-1.0 X 35mm Carriage Bolt SS	6
23	SMNN-06-1.0-3	M6-1.0mm SS Nylon Lock Nut	8
24	SMBH-08-1.25-65-2-3	M8-1.25mm X 65mm Hex Bolt SS	2
25	SMNN-08-1.25-3	M8-1.25mm Nylon Lock Nut SS	2
26	SMBC-10-1.5-25-2-3	M10-1.5mm X 25mm Carriage Bolt SS	8
27	SMBC-10-1.5-35-2-3	M10-1.5mm X 35mm Carriage Bolt SS	2
28	SMNF-10-1.5-3	M10-1.50mm Flange Nut SS	8
29	SMWI-10-020-M-2	M10 Flat Washer SS	2
30	P-Clip .375	P-Clip fastener	2
31	SMWI-06-012-M-3	M6 Flat Washer SS	4
32	SMBH-06-1.0-20-2-3	M6-1.0mm X 20mm Hex Bolt SS	2

JAS5792K - 8" Hopper & Spout Kit

ITEM NO.	PART NUMBER	DESCRIPTION	QTY.
33	JAS5108P	Hopper, 8" Auger (A60206)	1
34	JAS5529W	Coarse Screen, 8" JD Auger	1
35	JAS1263	Spout for Auger, 8" I.D. x 24" Long	1
36	SHC-800	8" SS Hose Clamp	2

JAS5793K - 8" 21' Auger Hydraulic Kit

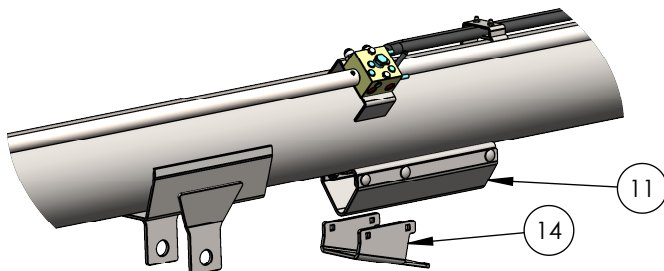
JAS5804K - 8" 23' Auger Hydraulic Kit (See table below for part variations)

ITEM NO.	PART NUMBER	DESCRIPTION	QTY.
37	T00113P	Danfoss 151F2341 OMS 100	1
38	JAS5185P	Hydraulic Directional Valve (AA55047)	1
39	HYDH-007	Hydraulic Line, 21' JD Auger	2
40	1115-10-08	#10 Male ORB to #8 Male JIC Adapter	2
41	1115-08-08	#8 Male ORB to #8 Male JIC Adapter	2

Part Variations

JAS5101A 21' Auger - JAS5803A 23' Auger

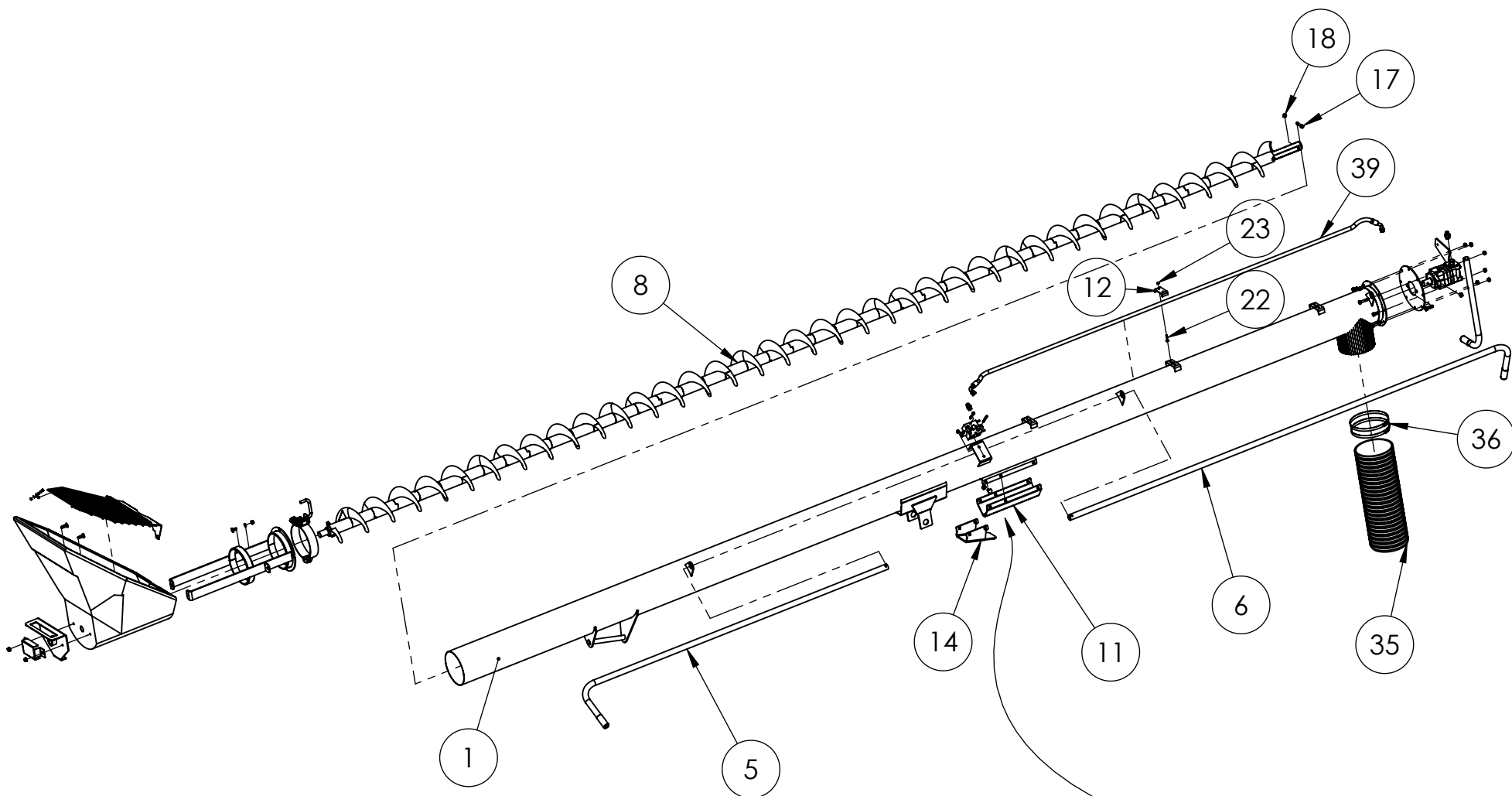
	21ft Auger		23ft Auger
ITEM NO.	PART NUMBER	DESCRIPTION	PART NUMBER
1	JAS5101W	8" Auger Tube Weldment	JAS5551W
6	JAS5780A	Leaver, Hydraulic Valve, Upper End	JAS5764A
8	JAS5782A	Poly Flighting Assembly, 8" Auger	JAS5797A
11	JAS5087P	V Shap Channel	N/A
14	JAS5333P	Positioning Plate	JAS5417P
39	HYDH-007	Hydraulic Line, JD Auger	HYDH-002



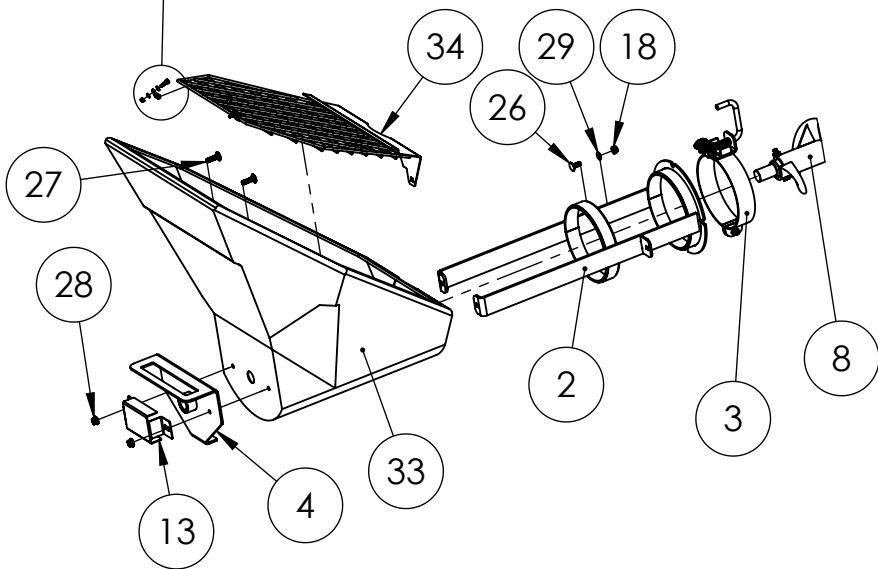
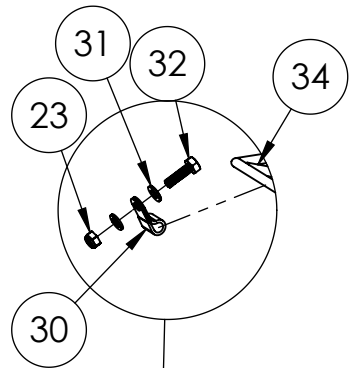
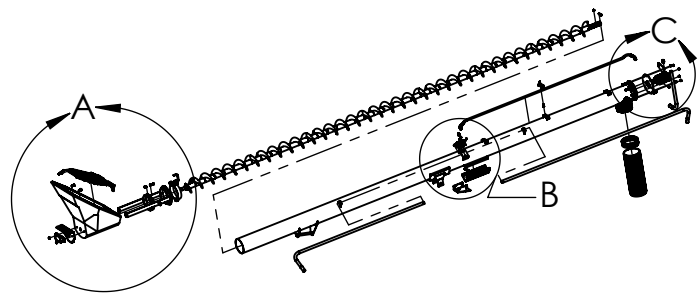
The JAS5101A comes with two mounting brackets - a V-bracket (11) and a tongue bracket (14). Use whichever one your cart requires.

IMPORTANT: APPLY ANTISIEZE TO ALL THREADED STAINLESS STEEL SURFACES TO PREVENT COLD WELD!

**IMPORTANT: APPLY ANTISIEZE TO ALL THREADED
STAINLESS STEEL SURFACES TO PREVENT COLD WELD!**

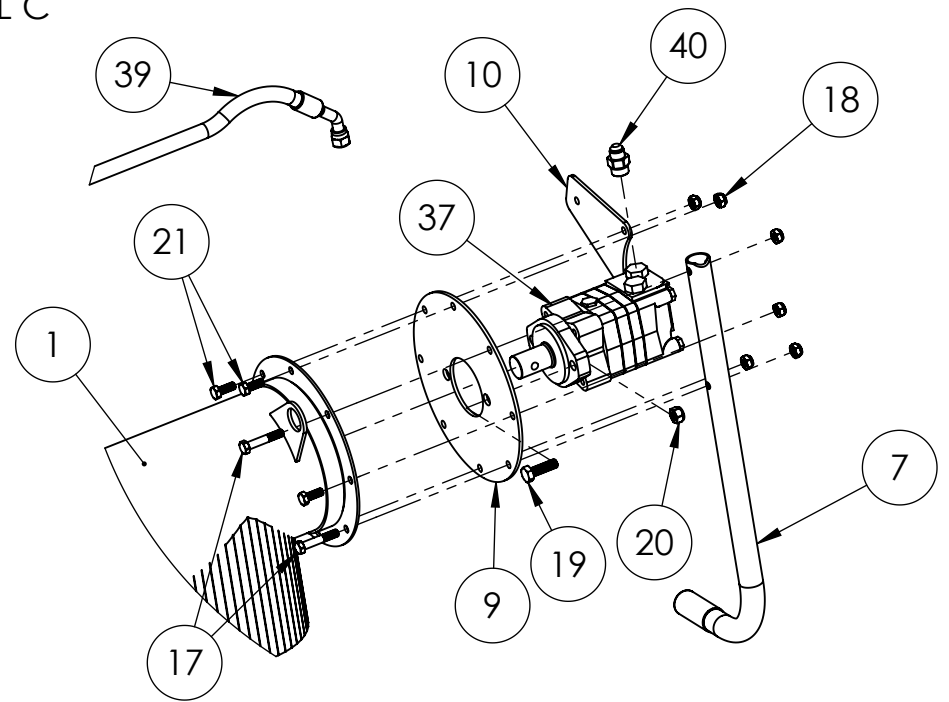


On the JAS5101A - Use
either (14) or (11), **NOT** both.

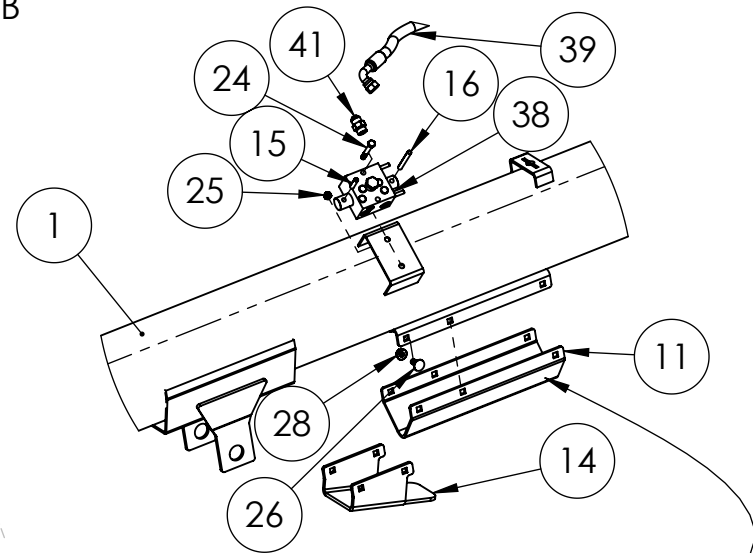


DETAIL A

DETAIL C



DETAIL B



Use either (14) or (11),
NOT both.